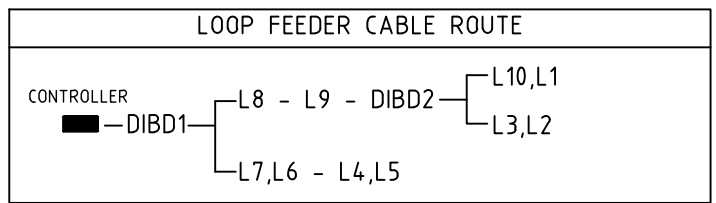
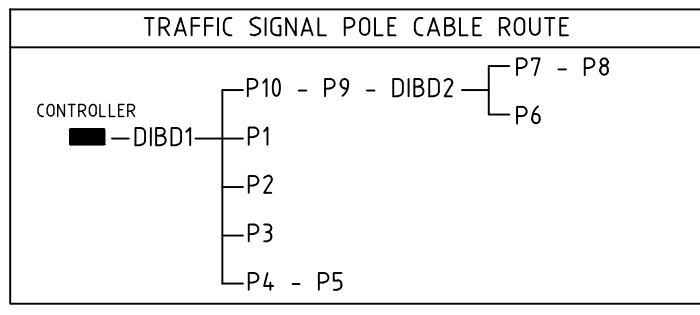
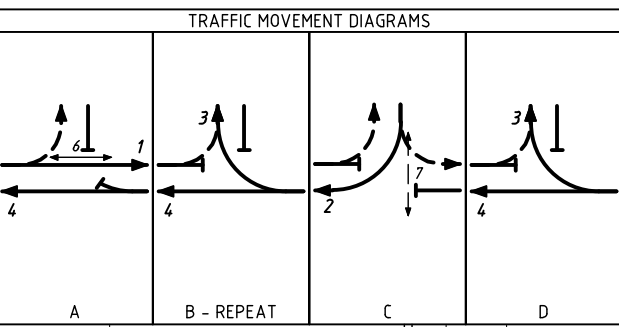


* SIGNAL GROUP 5 TO PROVIDE A TIMED RED ARROW PROTECTION TO PEDESTRIAN CROSSING 2.



REFERENCES	DESCRIPTION
9331-376	KERBING TYPE
9831-5649	PEDESTRIAN RAMP DETAILS
9120-0158 & 59	RAISED PAVEMENT MARKERS
8420-0700	CONDUITS (STANDARD)
8525-0316 & 17	LEGEND (SYMBOLS)
8320-0400	LEGEND (TRAFFIC SIGNALS)
DRAWING No.	DESCRIPTION

AMENDMENTS	DESCRIPTION	DRN	ENG	APP
No.	DATE			

AMENDMENTS	DESCRIPTION	DRN	ENG	APP
No.	DATE			
5	20.7.2020			
4	15.08.2018			
3	22.03.2017			
2	06.09.2013			
1	01.02.2010			

mainroads
WESTERN AUSTRALIA

METROPOLITAN OPERATIONS
WATERLOO CRESCENT EAST PERTH 6892
Telephone: (08) 9323 4111 Fax: (08) 9323 4430

DRAWN:	M. CRUGNALE	DATE:	22.03.2017
ENGINEER:	N. MACDONALD	DATE:	23.03.2017
VERIFIED:	C. MENGHAM	DATE:	31.03.2017
APPROVED:	-	DATE:	-

RAINFORD ROAD (1104) WARATAH BOULEVARD (1180) AS CONSTRUCTED TRAFFIC SIGNALS		SHEET No:	1 of 1
LOCAL AUTHORITY: (114) CITY OF CANNING		SHEET SIZE:	A1
MRWA DRG No:	0648-3061	REV:	5
ASSET No:	LM00875	TYPE:	A